

LED TRACK SPOT LIGHT



MODEL:LDG3340P-30



ERP

100 LM/W
Ultra Bright

PRODUCT DETAILS



APPLICATIONS



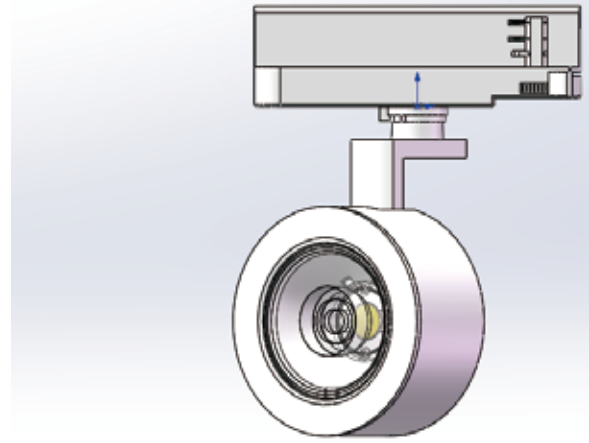
Search **oteshen lighting** to follow us:



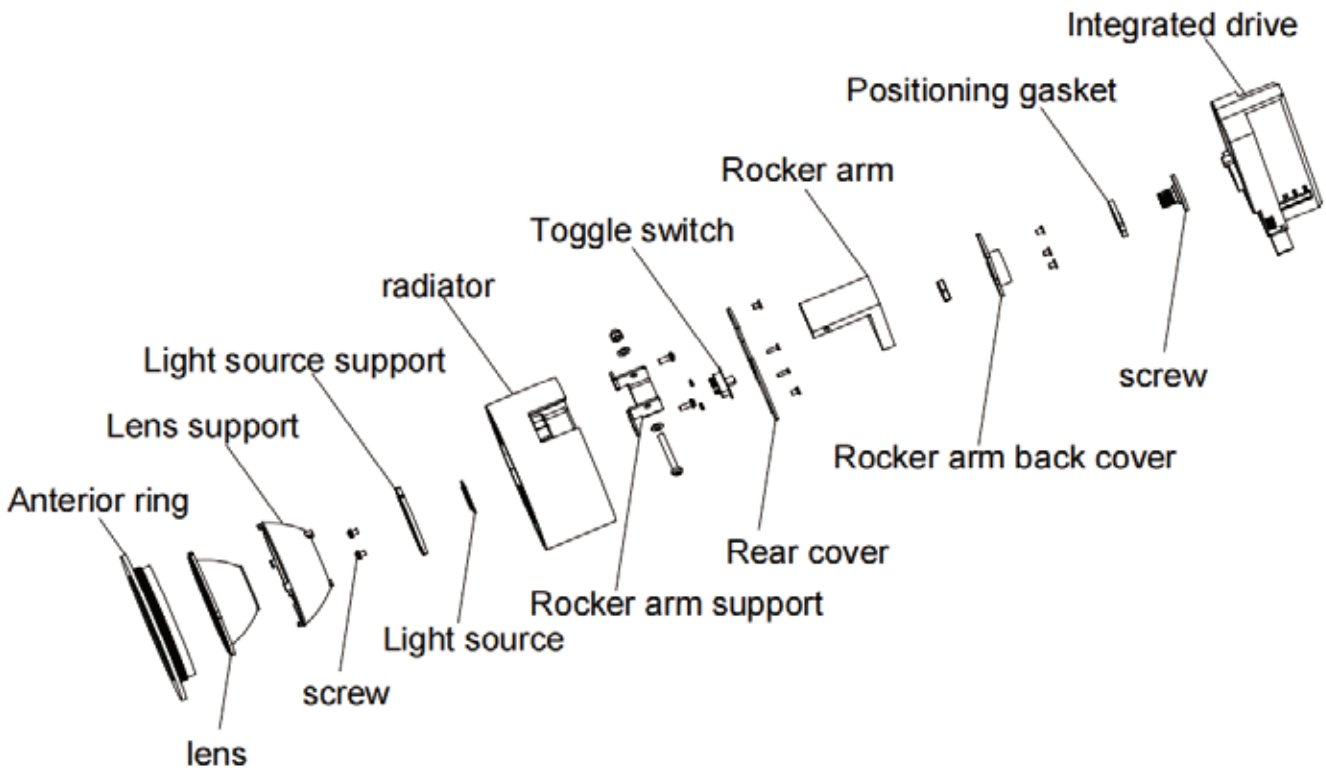
Scan the catalogue for more products:



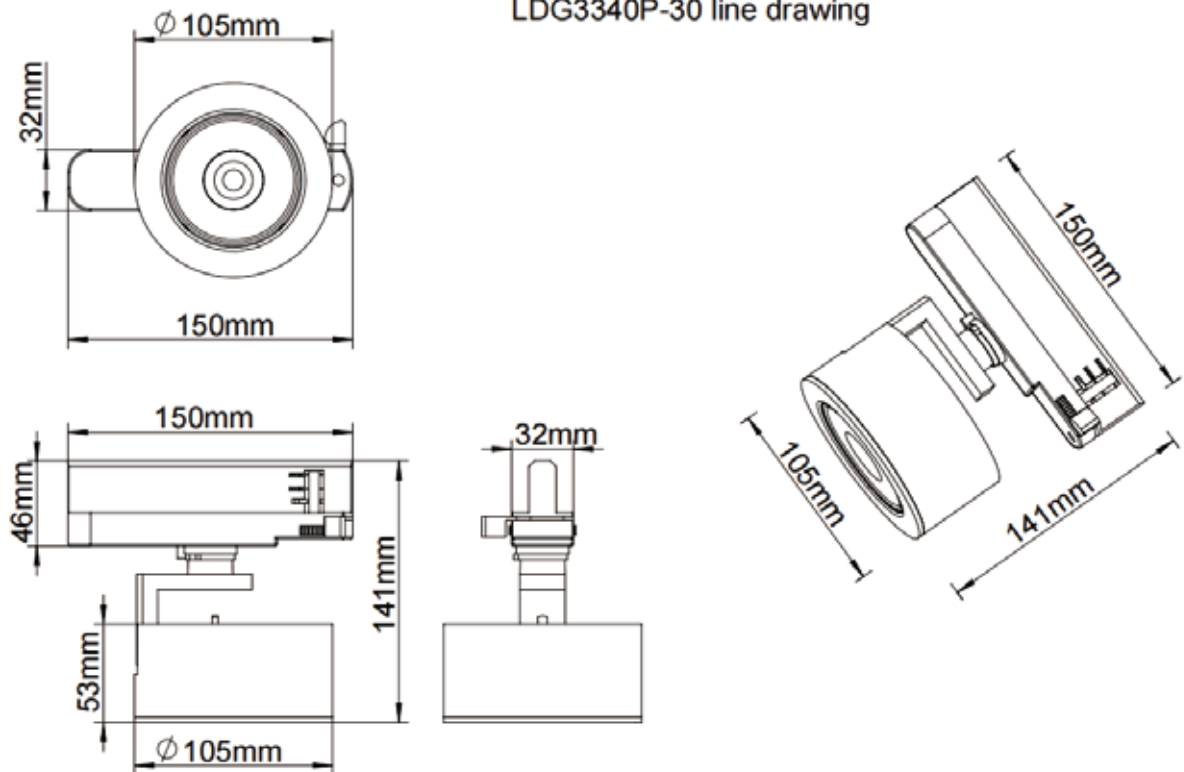
<http://www.oteshen.com>



LDG3340P-30 Explosion pattern



LDG3340P-30 line drawing



Performance & parameter of product

	lamp	warm white	natural white	cool white
performance parameter	lumen (lm)	3080	3200	3150
	color temperature (K)	3000K	4200K	6500K
	CRI	≥80		
	type of LED	COB		
	beam angle	32.4°		
	decay rate (%)	less than 3% within 1000 working hours		
	total power (W)	30W±10%		
	lifespan (Hrs)	≥30000Hrs		
	high voltage testing	500Vac/1min		
	LED parameter	lighting efficiency	100 lm/W	
chip quantity		72PCS		
series-parallel way		3B12C*2		
voltage		34-38V		
current		750mA		
driver parameter	input parameter	220-240V AC, 50/60Hz		
	power factor	>0.9		
	output parameter	700mA 30-40v		
structure parameter	material	AL		
	dimension	150*105*141mm		
	cut-out	/		
	protection class	Class II		
	IP	IP20		
environment parameter	application	hotel、home-lighting、recreation place、supermarket、office building		
	operating temperature	-25°C ~ 50°C、10% ~ 90% R.H.		
	storage temperature	-30°C ~ 85°C、0% ~ 95% R.H.		

Installation procedure:

1. Turn off the switch;
2. Drill holes in the ceiling and install four-line guide rails;
3. The guide rail is connected to 220-240V mains;
4. Install the guide lamp on the guide rail;
5. After checking, turn on the switch and use it

