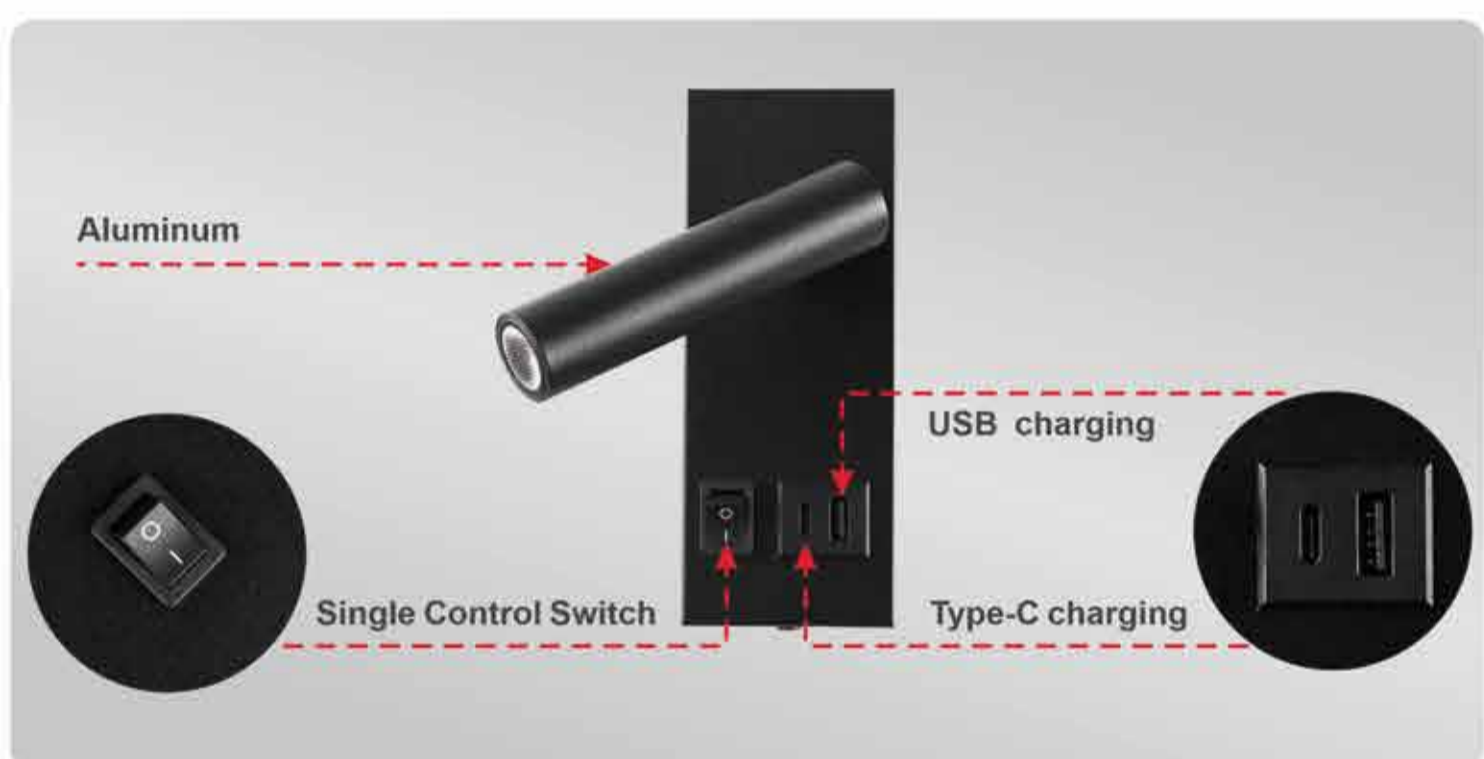


LED BEDSIDE READING LIGHT



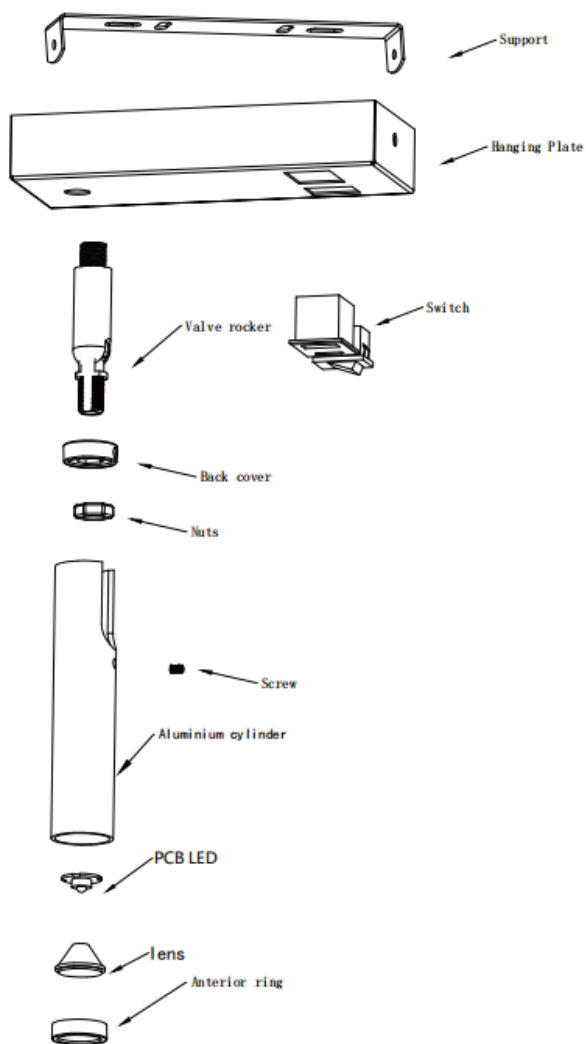
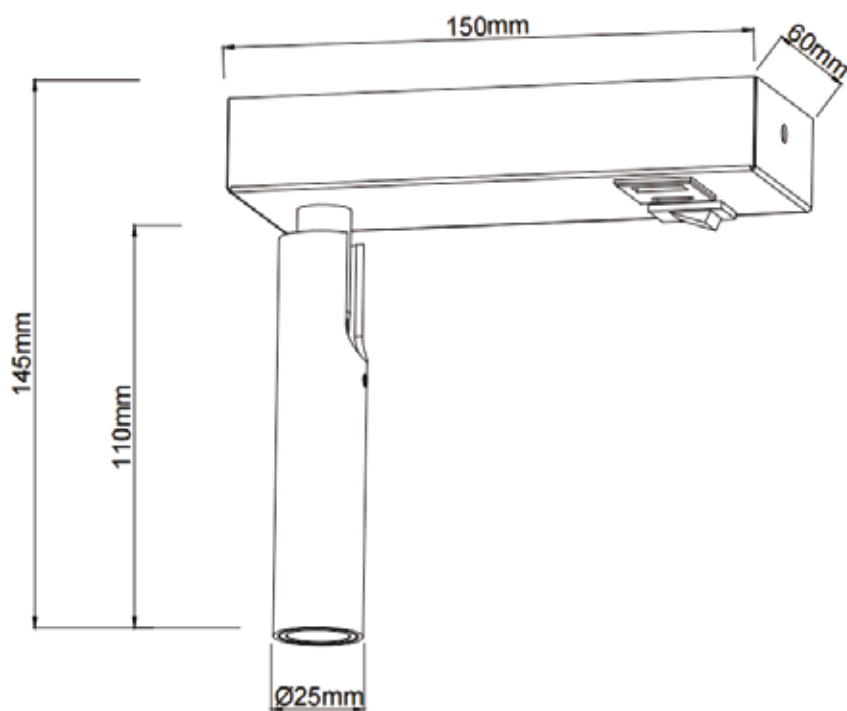
PRODUCT DETAILS



APPLICATION



Structure & size



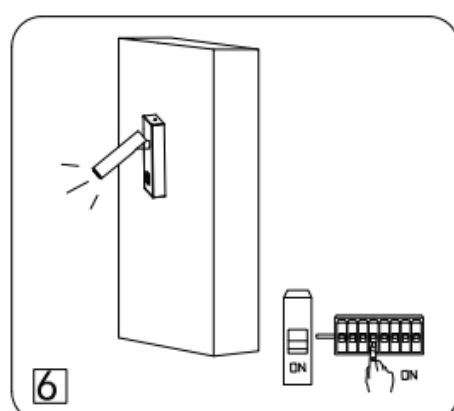
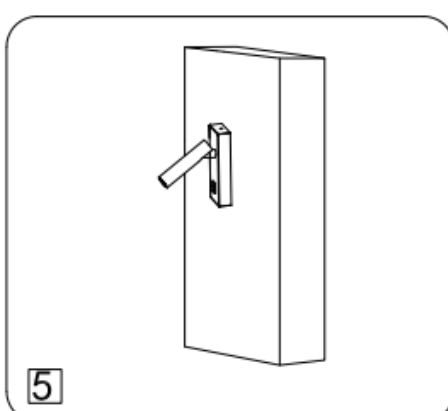
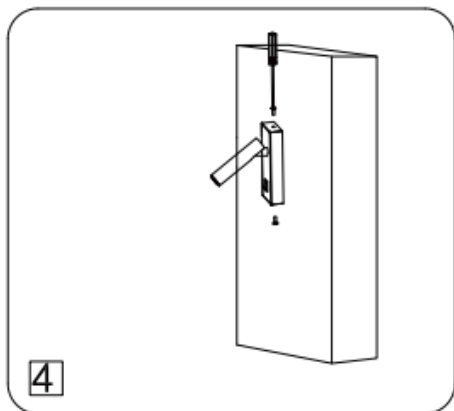
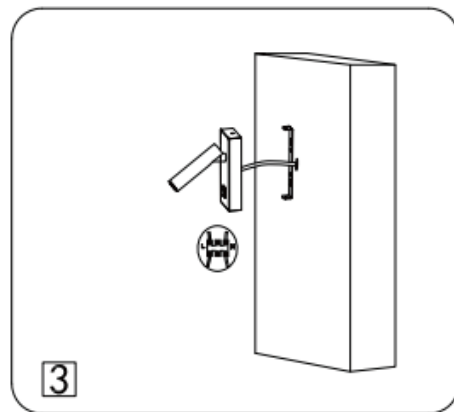
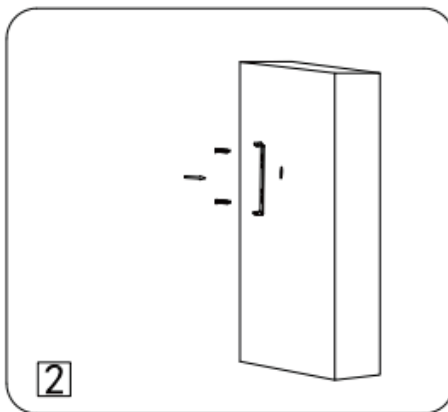
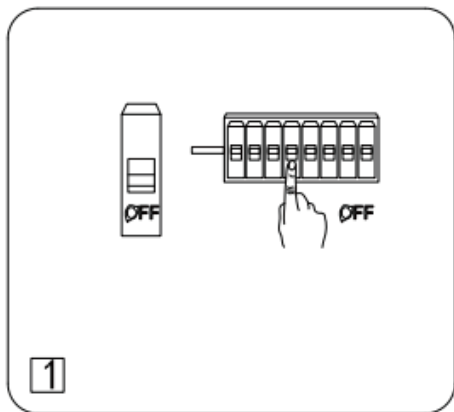
Performance & parameter of product

performance parameter	lamp	warm white	natural white	cool white
	lumen (lm)	140lm	142lm	146lm
	color temperature (K)	3000K	4200K	6500K
	CRI	≥80		
	type of LED	SMD 2835		
	beam angle	38°		
	decay rate (%)	less than 3% within 1000 working hours		
	total power (W)	2W±10%		
	lifespan (Hrs)	≥15000Hrs		
	high voltage testing	500Vac/1min		
LED parameter	lighting efficiency	70lm/W		
	chip quantity	1PCS		
	series-parallel way	1C1B		
	voltage	5V		
	current	340mA		
driver parameter	input parameter	100~240VAC, 50/60Hz		
	power factor	≥0.5		
	output parameter	(Optoelectronics, 340mA 2-70V) (Charge 5V2A)		
structure parameter	material	Aluminum+Iron		
	dimension	150*60*145mm		
	cut-out	/		
	protection class	Class I		
	IP	IP20		
environment parameter	application	hotel、home-lighting、recreation place、supermarket、office building		
	operating temperature	-25℃ ~ 50℃、10% ~ 90% R.H.		
	storage temperature	-30℃ ~ 85℃、0% ~ 95% R.H.		

Installation instructions

Installation instructions:

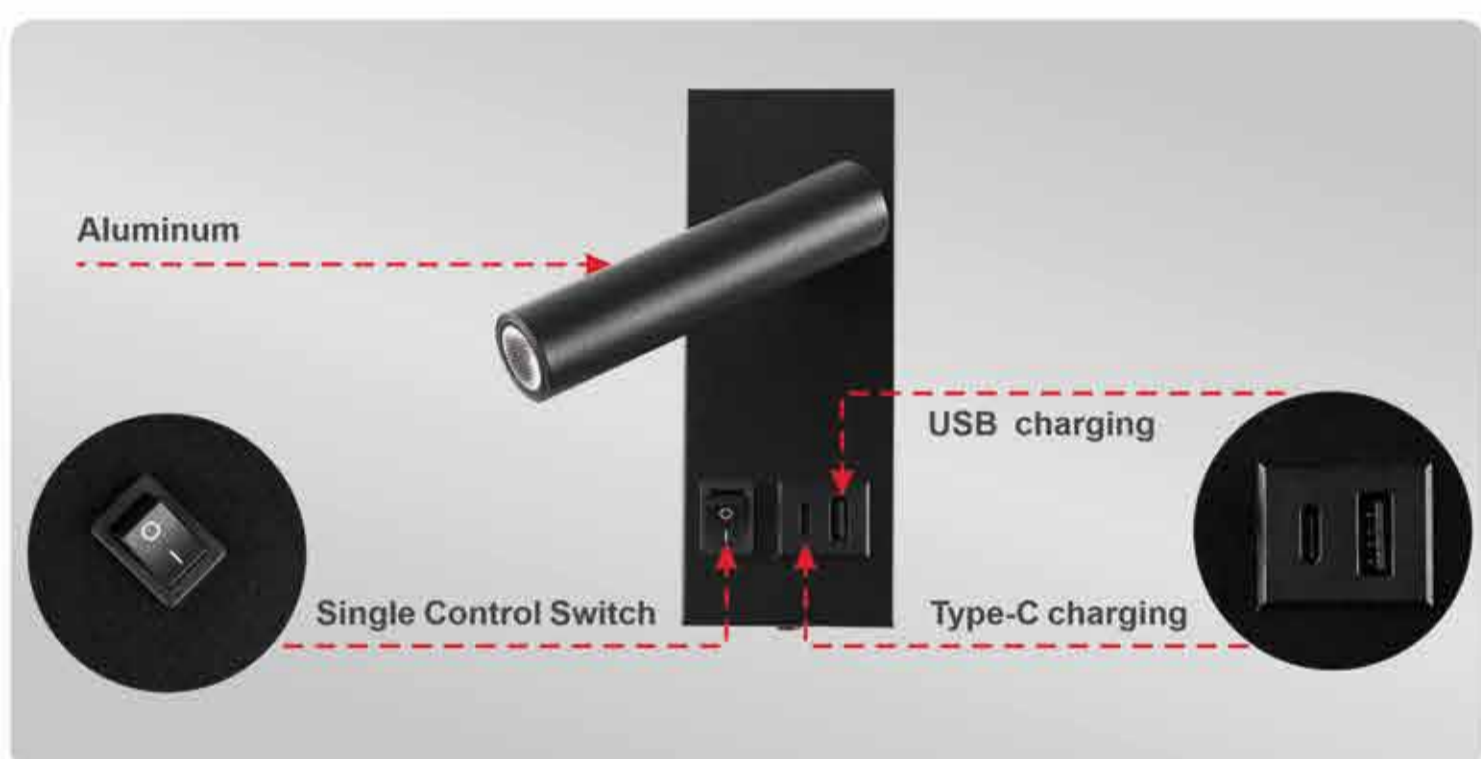
- 1: Turn off the power switch, Connect the voltage (100-240V)
- 2: Install the luminaire to the guide rail.
- 3: Lock the lamps and lanterns.
- 4: Fixed base.
- 5: Adjust the angle of the lamp.
- 6: After checking it is correct, hit the switch to use immediately



LED BEDSIDE READING LIGHT



PRODUCT DETAILS



APPLICATION

