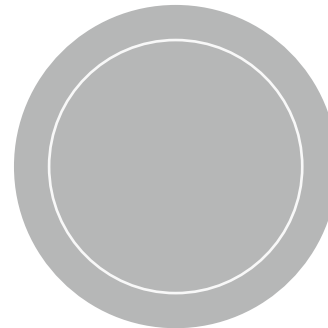
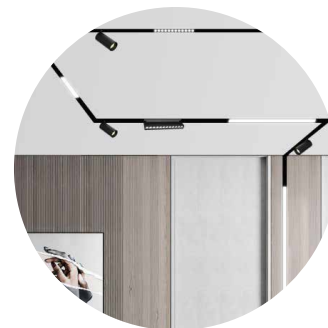
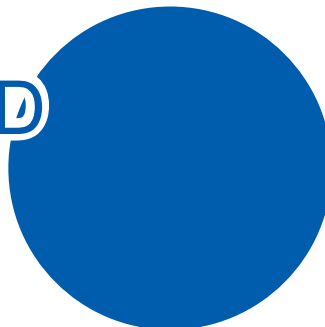
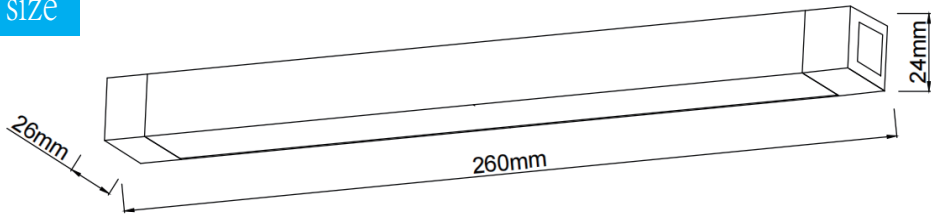


MAGNETIC LED TRACK LIGHT

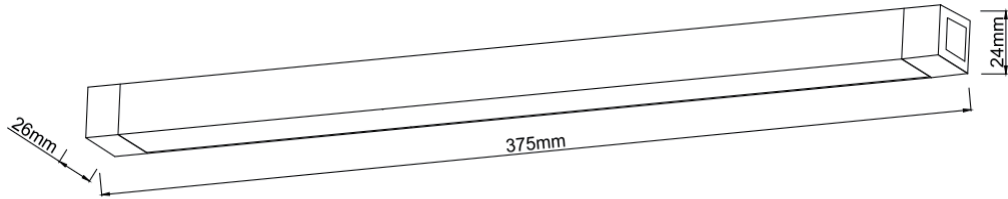


14W 18W 22W Magnetic Linear Track

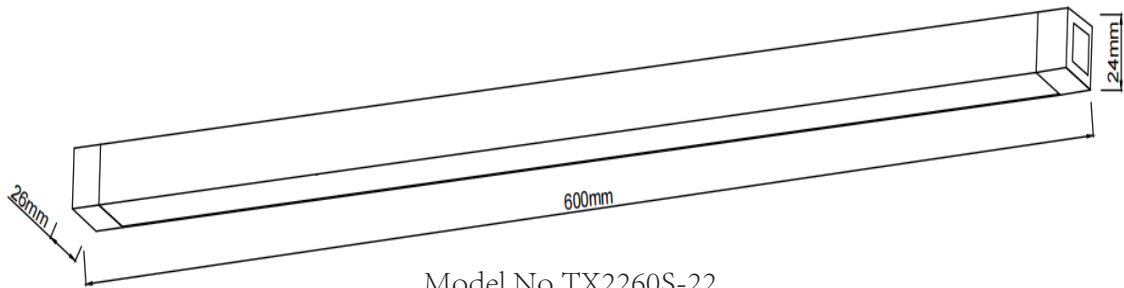
Structure & size



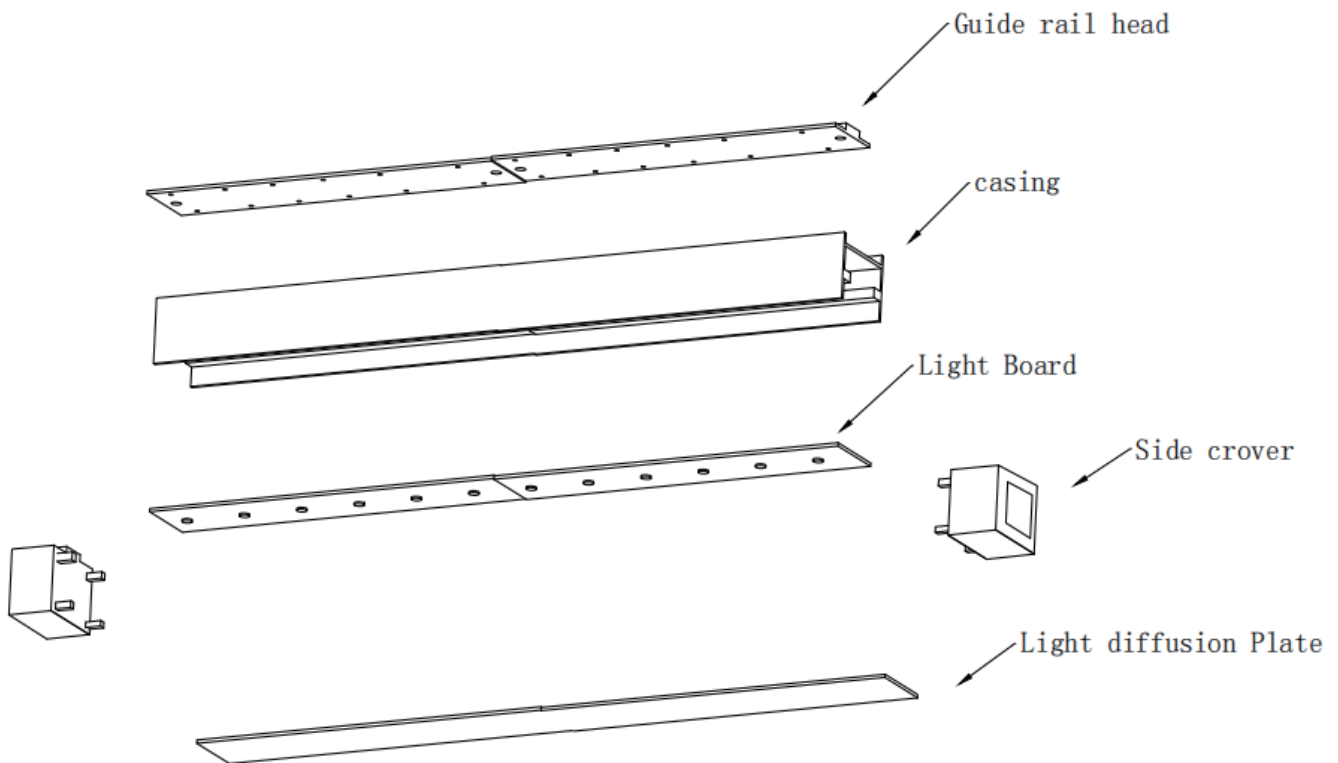
Model No. TX2240S-14



Model No. TX2250S-18



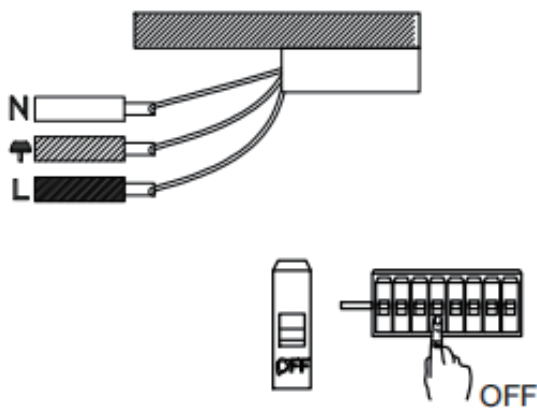
Model No. TX2260S-22



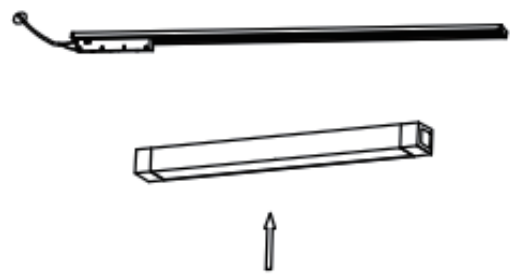
Installation instructions:

1. Switch off the power.
2. Install the luminaire into the guide rail groove .
3. Check that everything is in order .
4. Switch on the power if above steps done properly without any mistakes.

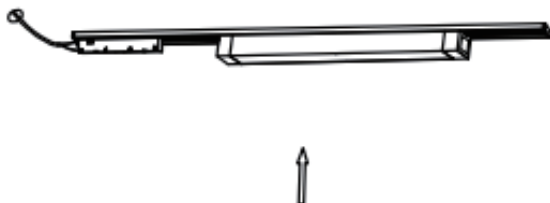
1



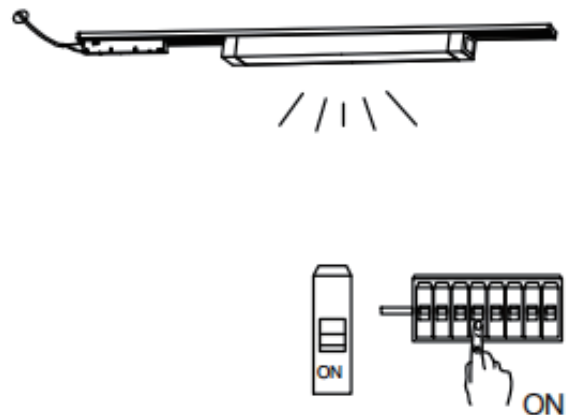
2



3



4



Performance & parameter of product

	Model No	TX2240S-14			TX2250S-18			TX2260S-22		
	lamp	warm white	natural white	cool white	warm white	natural white	cool white	warm white	natural white	cool white
performance parameter	lumen (lm)	650lm	680lm	700lm	900lm	930lm	950lm	980	1000	1030
	color temperature (K)	3000K	4200K	6500K	3000K	4200K	6500K	3000K	4200K	6500K
	CRI	>80			>80			>80		
	type of LED	SMD			SMD			SMD		
	beam angle	80			80			80		
	decay rate (%)	1000 hours no more than 3%			1000 hours no more than 3%			1000 hours no more than 3%		
	total power (W)	14W			18W			22W		
	lifespan (Hrs)	≥30000Hrs			≥30000Hrs			≥30000Hrs		
	high voltage testing	500Vac/1min			500Vac/1min			500Vac/1min		
	LED parameter	lighting efficiency	49lm/W			52lm/W			45lm/W	
chip quantity		24			36			44		
series-parallel way		2B10C			2B18C			2B22C		
voltage		48V			48V			48V		
current		300mA			300mA			300mA		
driver parameter	input parameter	48V DC			48V DC			48V DC		
	power factor	>0.5			>0.5			>0.5		
	output parameter	50V			50V			50V		
structure parameter	material	AL+PC			AL+PC			AL+PC		
	dimension	260X26X24mm			375X26X24mm			600X26X24mm		
	cut-out	/			/			/		
	protection class	calss III			calss III			calss III		
	IP	IP20			IP20			IP20		